

LED DIMMER
PRODUCT SERIES DATASHEET



LED Dimmer T43



88Light High Voltage LED Dimmer have been widely applied in household lighting, business center, supermarket, office, hospital, chain operation store, restaurant, hotel, interior decoration, wedding photography, large exhibition engineering and so on.

Applications:



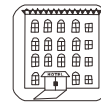
Shopping Mall



Office



Exhibition hall



Hotel



Jewelry Store



Residence



Bank



Cafe



Living Room



Hospital

PRODUCT FEATURES

- Wide input voltage range DC12-24V.
- Stepless dimming or one key quick dimming.
- Handy installation, screw fixed.
- Environmentally friendly-fully recyclable, no mercury or other hazardous materials.
- CE & RoHS, FCC approved friendly to environment.



LED DIMMER
PRODUCT SERIES DATASHEET



PRODUCT DIAGRAM



Product Name	L [mm]	W [mm]	H [mm]
88L-DIM-T43	89	59	35

TECHNICAL DATA

Electrical characteristics^{1, 2, 3}:

Product Name	Input Voltage [V]	Output Voltage [V]	Output ² Max Power	Continuous ³ Power	Output Current [A:max]	Remote style	IP Grade
88L-DIM-T43	DC12-24V	DC12-24V	192W	96W	8	No	IP22

Note 1: Absolute ratings @ 25°C.

Note 2: The max output power is tested by input voltage 24V and it's not static work mode; it should be half when input voltage 12V, but the max output current is the same.

Note 3: Please don't use the max power as continuous power, or it will be too hot, even damage the dimmer, normally the continuous current is 4A.

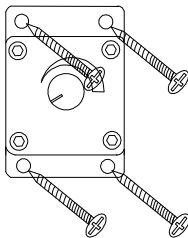
LED DIMMER
PRODUCT SERIES DATASHEET



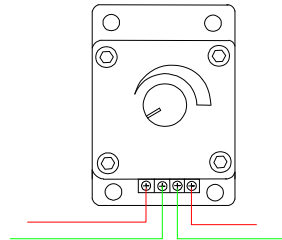
PRODUCT INSTALLATION:

Installation drawing

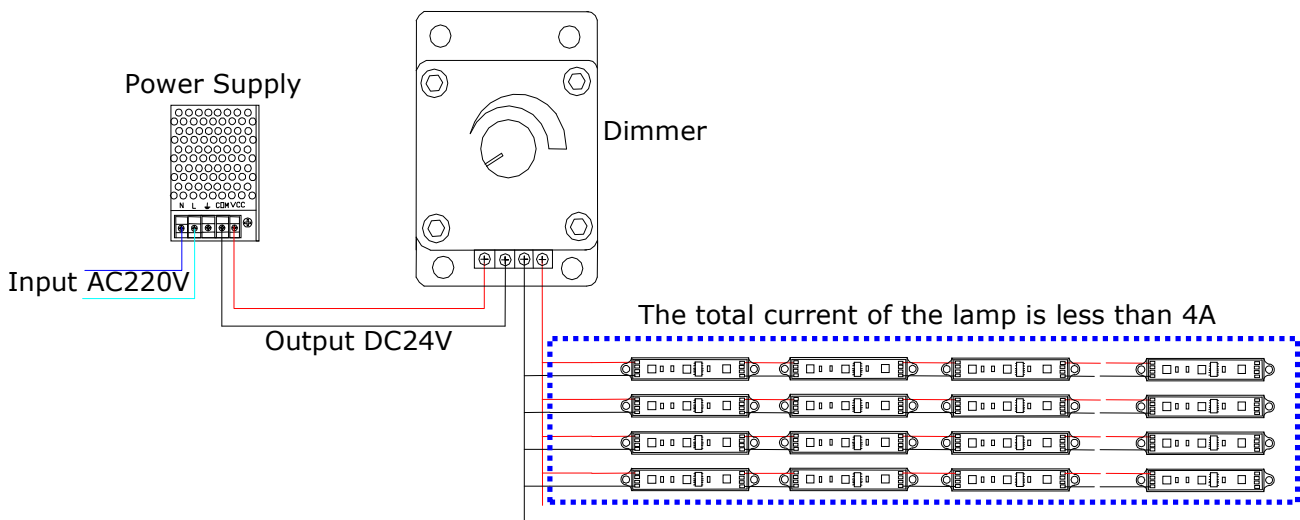
1. Place then fix the dimmer with screws where needed.



2. Connect lamps to the dimmer and connect the dimmer to the power supplier.



Wire Connection drawing DC24V



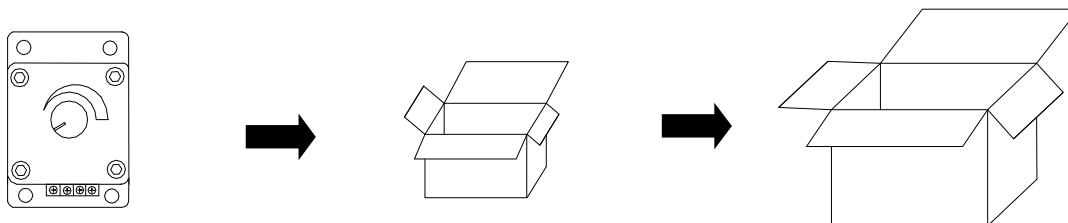
LED DIMMER
PRODUCT SERIES DATASHEET



SAFETY

1. **Always** consult a qualified, licensed electrician prior to the installation of this product.
2. **Always** ensure that all components are joined properly before they are installed.
3. LED Dimmer is not waterproof, please don't use under water.
4. Please keep good ventilation for the dimmer; otherwise it will be very hot after worked some time.
5. Each positive pole connected to a positive pole and each negative pole connected to a negative pole, if not, the Dimmer will not work or damaged, and the output poles can't be paralleled together, or the dimmer will be damaged.
6. Check the poles and try again before switch on the power supply.
7. Each dimmer have the max current, please check the total current of the lamp before connected to the power, if the total current exceeds the maximum current, then the device will be a lot of heat, and even burned.
8. Ensure everything is connected properly before connecting to the power supply.
9. If any question about the installation, consult a competent electrical technician.

PACKING:



LED DIMMER
PRODUCT SERIES DATASHEET



PACKING:

Product Name	Size of Carton (L×W×H)	Qty/Carton [pcs]	Gross Weight [Kg]	Size of box(L×W×H)	Unit Weight [g]
88L-DIM-T43	51x38x28cm	150	21.5	95×65×40	145

Note 4: Packing informational is only for reference.

OTHER 88Light PRODUCTS:

For more information about 88Light products, or to use our online energy saving calculation software please visit our website

www.88light.com

DISCLAIMER:

88Light reserves the right to modify the design of our products as part of the company's program of continuous improvement. 88Light cannot guarantee to match existing installed product for subsequent orders or replace the product exactly to match the product you are replacing in product appearance, color, or brightness. Specifications are subject to change without notice.